



**ROBOT  
NEST**

**Made in Latvia!**

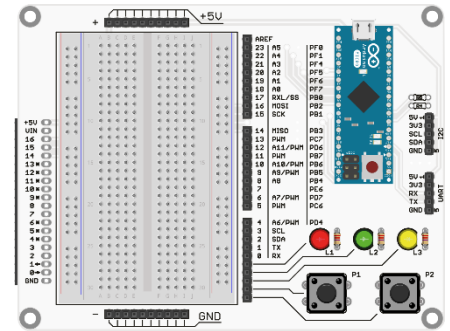
# Prototyping kit

## Description

Prototyping kit is designed for pupils and other enthusiasts looking for a way to learn fundamentals of electronics and programming. The kit consists of **prototyping board**, which is based on solder-free breadboard allowing to reuse the parts, **part set** necessary to accomplish exercises and well known **Arduino Micro** microcontroller, which allows to use the broad experience of the Arduino community. The kit is designed using accumulated teaching experience of Robotics Club of Riga Technical University leading the robotics community in Latvia since 2008. Therefore the kit suits well for both, beginners and experienced enthusiasts.

## Key features

- Designed using the best experience and know-how of RTU Robotics club since 2008.
- Solder-free breadboard allowing to reuse the parts.
- More than 60 different electronics part for exercises starting from simple electric circuit up to motor control.
- More than 35 exercises with different levels of difficulty to learn fundamentals of electronics and programming.
- Arduino Micro microcontroller.
- All the necessary communication cables and construction parts necessary for prototyping.
- Integrated LEDs and push-buttons to save time for the first prototypes.



## Application

- Top quality equipment for schools, robotics clubs, centres of technical creativity;
- For enthusiast of international scale robotics competitions;
- Attractive equipment for teaching informatics;
- Excellent hands-on helper for teaching electronics fundamentals;
- Provide a lot of fun with friends;
- An excellent present for teenager or student starting the next education level ;

## Technical specification

Dimensions HxWxL	100 x 120 mm
Weight	50 g
Mikokontrollier	Arduino Mirco
Prototyping area	60 x 50 mm
Electronics parts	> 60 pcs.
Servo motor	1 pcs.
DC motor	1 pcsb.
Motor driver	1 pcs.
Mounting wires	25 pcs. Different colours
Box for parts	High quality plastics.

